

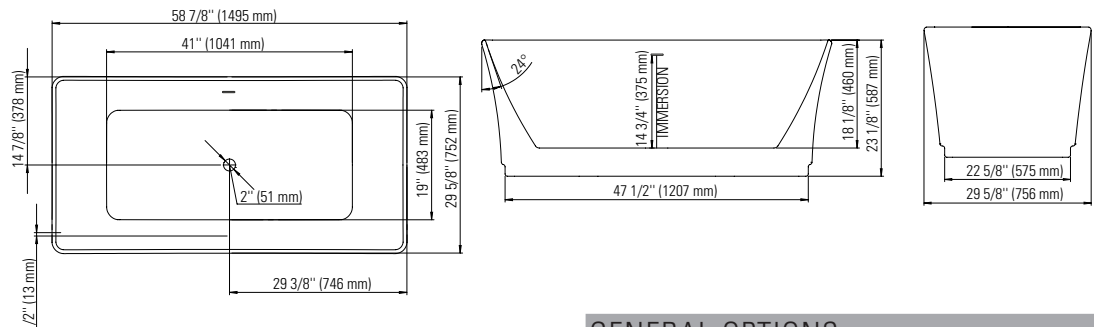
LONDON F1 3060


58 7/8" x 29 5/8" x 23 1/8"

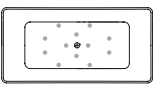


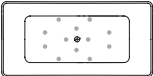
PRODUCT DESCRIPTION:	
Adjustable feet Transitional style Above-the-floor rough (AFR) Integrated linear overflow and drain kit included, chrome	
WATER CAPACITY:	IMMERSION:
55 gallons	14 3/4 po
BOX SIZE:	
61" x 31" x 24"	
NET WEIGHT:	GROSS WEIGHT:
91 lbs	113 lbs

24-48hrs
5 days



- 
Bathtub only
LON3060F1

- 
Mass-Air
Included: 12 injectors, 750W (1 1/2h.p.) Optima blower, with 300W heating element, 72" blower hose extension, and remote control.
LON3060F1M

- 
Rouge-Air
Included: 12 micro-jets, 750W (1 1/2h.p.) Optima blower, with 300W heating element, 72" blower hose extension, and remote control.
LON3060F1A

GENERAL OPTIONS

Overflow and waste included: Chrome
 Acrylic Colour: White Standard
 Bathtub drain adapter (picture below)

Gel black neck pillow
 White, brushed nickel or black overflow and drain kit

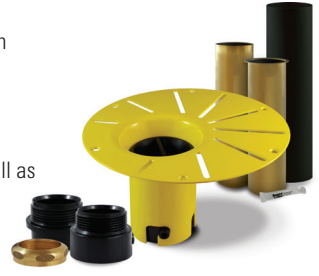
MASS-AIR / ROUGE-AIR OPTIONS

Mass-Air Jet finish: White/Chrome Standard
 Others: Chrome/Chrome
 96" blower hose extension
 A blower hose extension is required when the blower is located more than 4' from the bathtub.

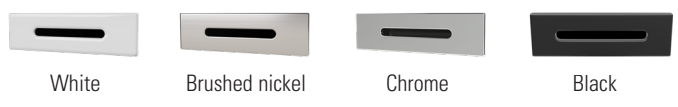
BATHTUB DRAIN ADAPTER

123Connect is a freestanding bathtub rough-in (install before tile).

- Quick, easy and clean installation.
- No access panel required.
- Allows for an installation as close to the wall as possible.



LINEAR OVERFLOW

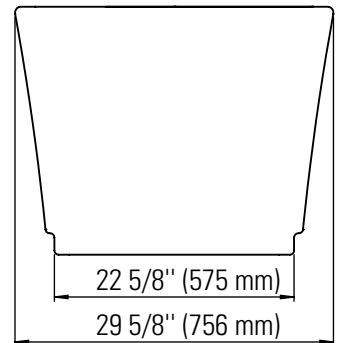
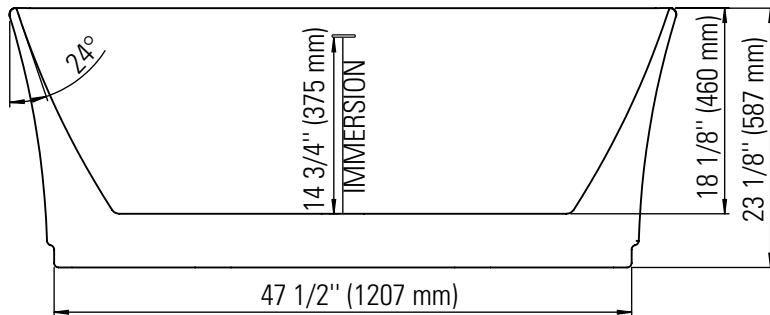
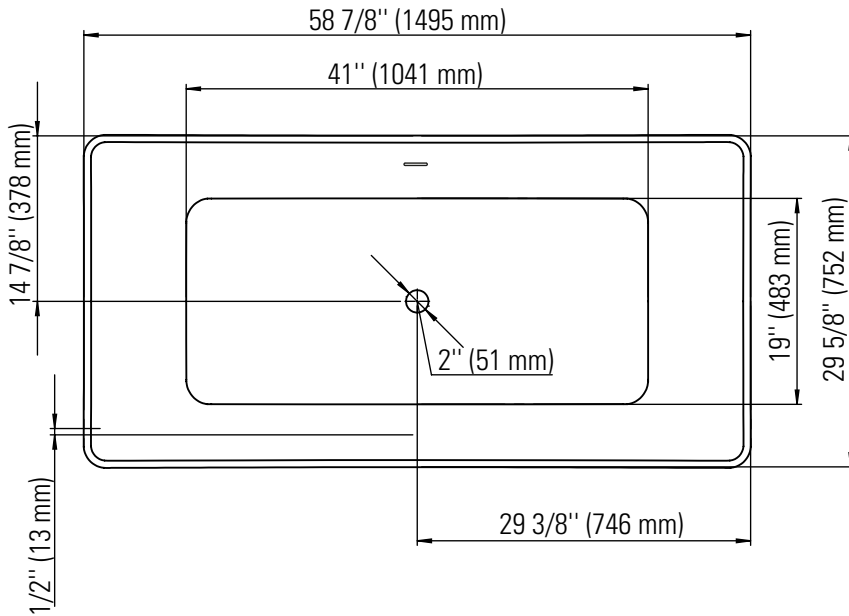




Produits Neptune

LONDON 3060F1

Bathtub



Ajustable feet

Above-the-floor rough (AFR)

*All dimensions are approximate and subject to change without notice
Please refer to the installation guide before beginning the installation